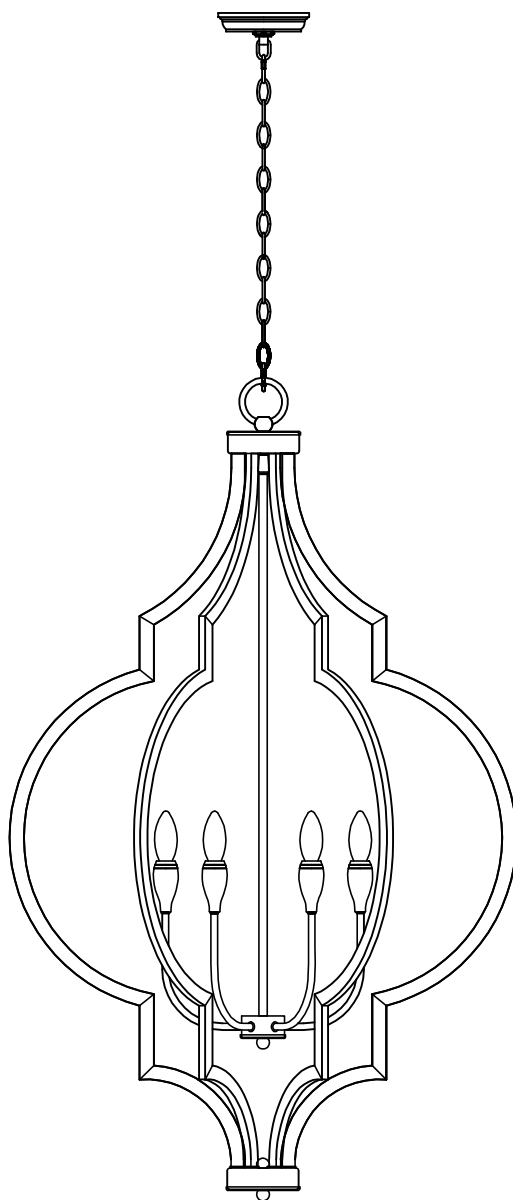




PRODUCT NAME: CREST
ITEM NUMBER: 20296

Please consult your electrician for hanging fixture and wiring.



Bulb(not included) :6*CA 60W

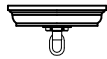
**PRODUCTS ARE NOT INENDED
FOR COMMERCIAL USE.**

MADE IN CHINA
Page 1 of (3)

IMPORTANT: Turn off power at the main fuse or circuit breaker box before starting installation



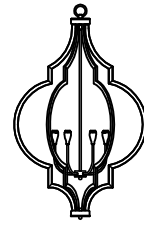
(A) Bracket



(B) Canopy

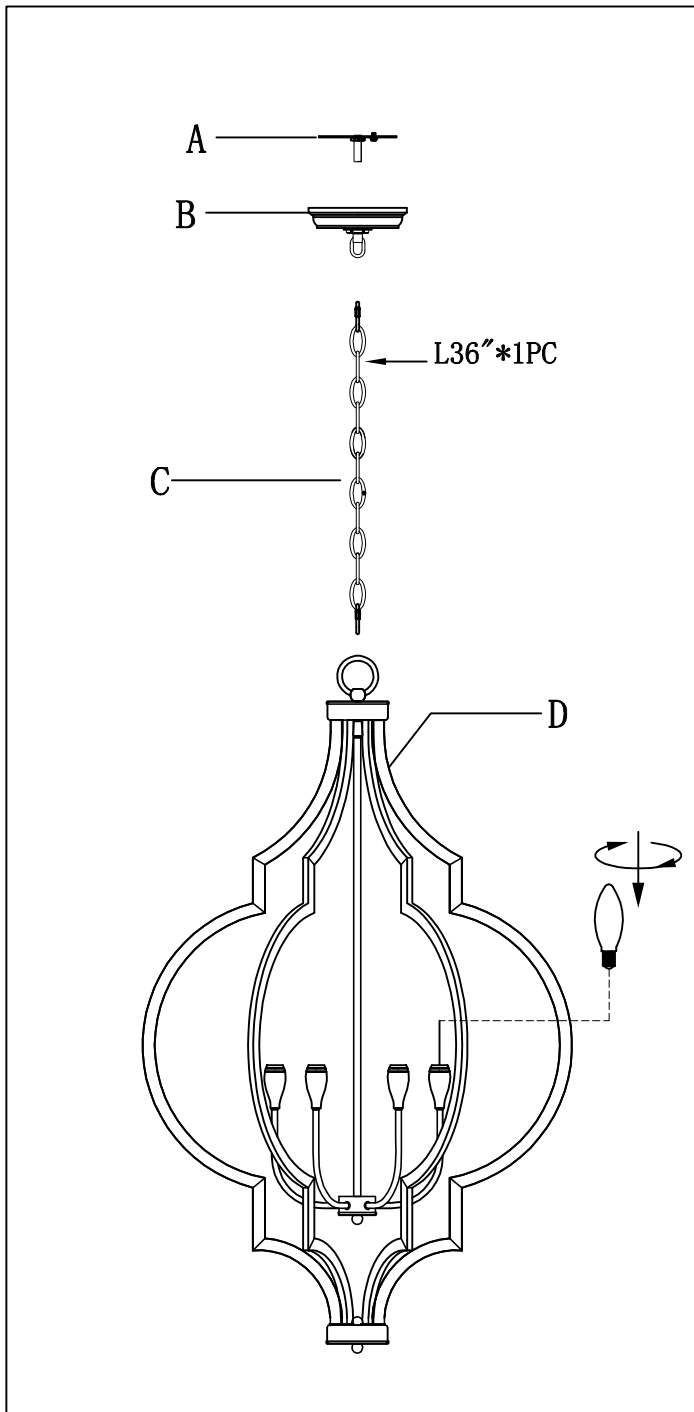


(C) Chain

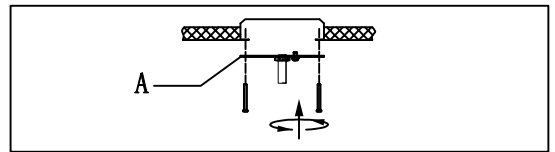


(D) Body

Locate all hardware & components before discarding packaging



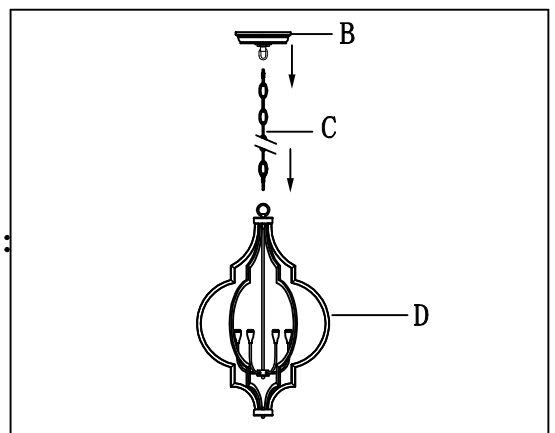
1.)



Step. 1: Remove mounting bracket(A) from fixture and install to electrical box.

2.)

Step. 2:

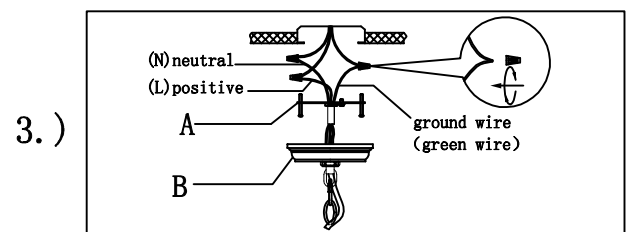
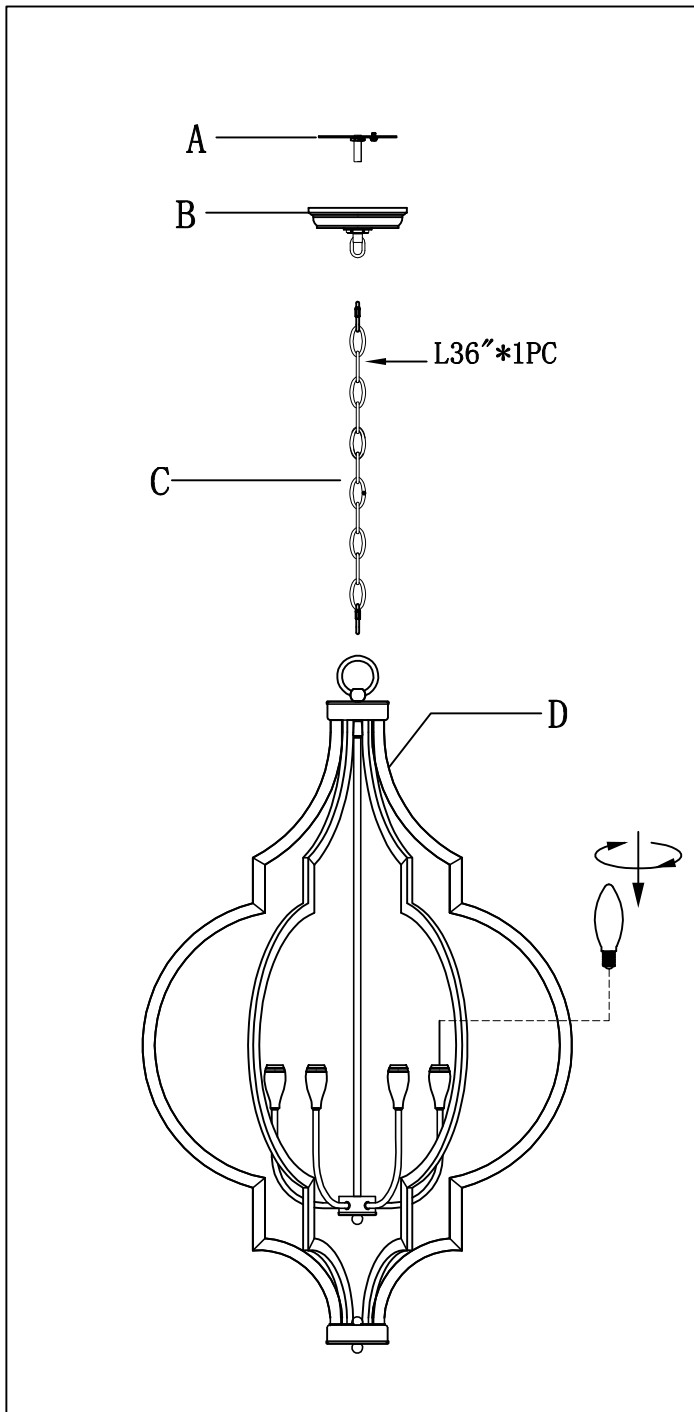


Attach appropriate amount of chain to loop to achieve desired mounting height. Thread wire through every 3rd loop of chain.

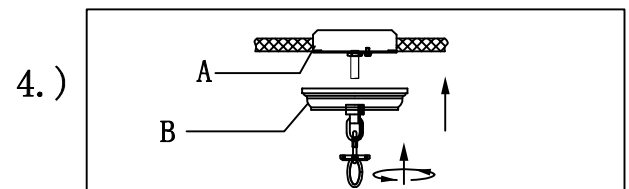
Clean with soft cloth and a mild detergent. Do not use abrasive cleaner.

IMPORTANT: Turn off power at the main fuse or circuit breaker box before starting installation

Locate all hardware & components before discarding packaging



Step. 3: Wire fixture to wires in outlet box. remove ring from loop and slide down chain. Place canopy onto chain and let slide to top of fixture. install nipple and cross bar into top of chain loop. Wire fixture to wires in outlet box. Copper wire is for Ground.



Step. 4: Pull canopy through screw ring up chain to ceiling and tighten securely.

Clean with soft cloth and a mild detergent.
Do not use abrasive cleaner.